

HARMAN®

BUILT TO A STANDARD, NOT A PRICE

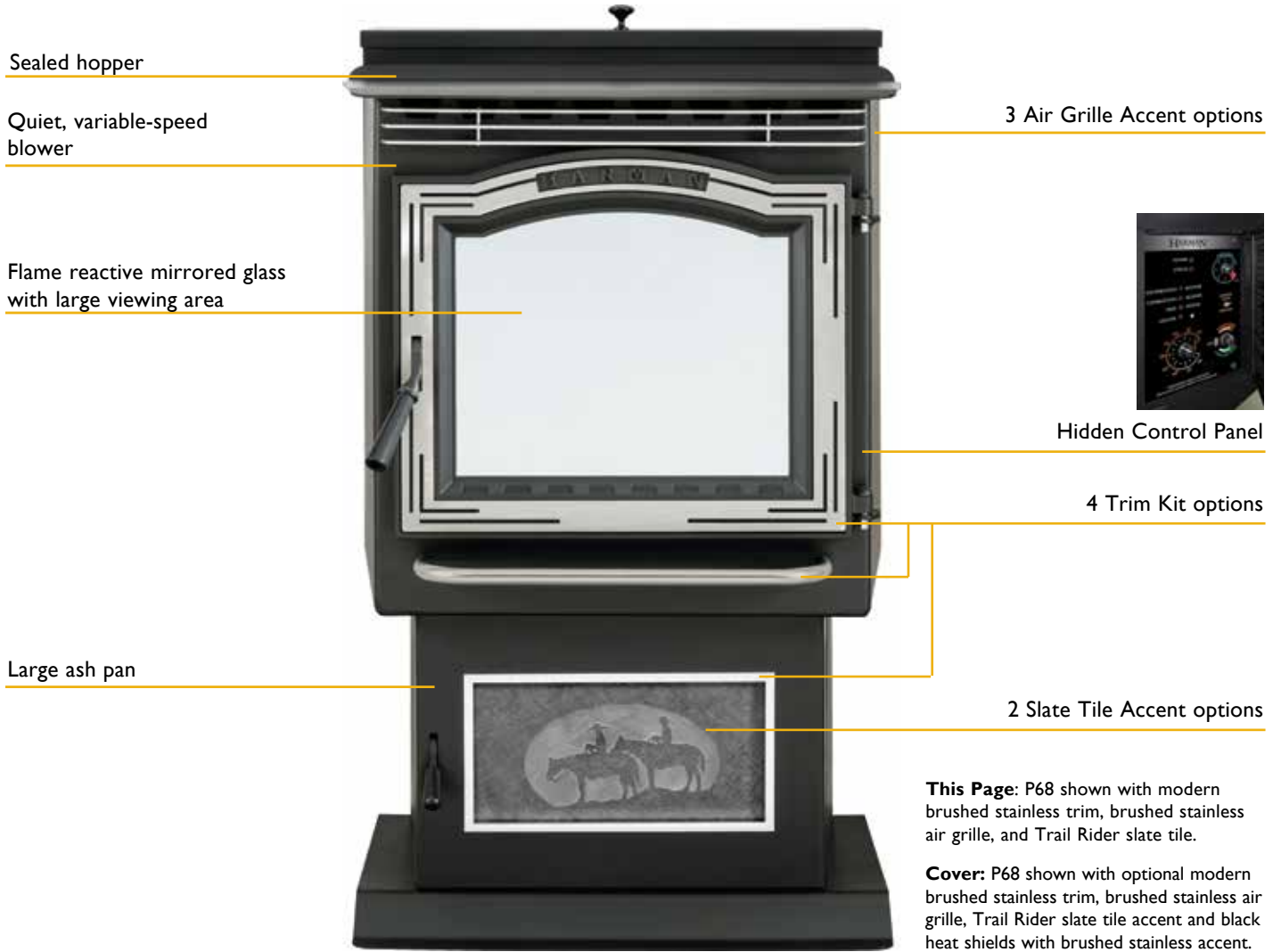


P-SERIES

PELLET STOVES & INSERTS



BUILT TO A STANDARD NOT A PRICE



Sealed hopper

Quiet, variable-speed blower

Flame reactive mirrored glass with large viewing area

3 Air Grille Accent options



Hidden Control Panel

4 Trim Kit options

Large ash pan

2 Slate Tile Accent options

This Page: P68 shown with modern brushed stainless trim, brushed stainless air grille, and Trail Rider slate tile.

Cover: P68 shown with optional modern brushed stainless trim, brushed stainless air grille, Trail Rider slate tile accent and black heat shields with brushed stainless accent.

P-SERIES STOVES & INSERTS

The Harman® P-Series Stoves and Insert are a true testament to engineering excellence and heating performance.

These advanced appliances use Harman® PelletPro™ and ESP technology to burn any grade of pellet with even heat and precision control. These features will save money while keeping your home at your perfect temperature. Basic maintenance can also performed without shutting down the units—for true 24-hour heating. Traditional cast iron doors, clean lines and unique finishing options compliment multiple décor styles.

Upgrading your space is easy with four models to choose from.





P43 shown standard, not burning



P68 shown with brushed stainless modern trim, black side heat shields with brushed stainless accents, brushed stainless air grille and Trail Riders slate tile accent.

EXCLUSIVE TECHNOLOGIES

PelletPro™ System

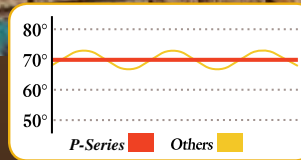
The patented PelletPro system makes it possible to burn any grade of pellet fuel with maximum heat and efficiency. A bottom-up feeding system burns each pellet completely and allows for 24-hour heating.



Scan with your smartphone to learn more about the PelletPro System, or visit HarmanStoves.com.

ESP Temperature Control

Harman pellet stoves utilize an advanced Exhaust Sensing Probe (ESP) system to deliver precision heating control. ESP constantly monitors and adjusts heat output to maintain set room temperatures within one degree.



ESP temperature control helps maintain a consistent room temperature.

Scan with your smartphone to learn more about ESP Temperature Control, or visit HarmanStoves.com.



FEATURES & OPTIONS

Every P-Series stove is outfitted with distinctive features and options. The main design and performance attributes of this series is outlined below.

Features

- Automatic ignition and temperature control
- Quiet, variable speed blower
- Cleaner glass with our exclusive Air Wash System
- Large ash pan
- Higher efficiencies with our Accordion Heat Exchanger
- Flame-reactive mirrored glass

Options

- Outside air kit
- Direct Vent wall pass-through
- Leaf design trim kit: brushed stainless and bright nickel
- Modern design trim kit: brushed stainless
- Air grille trim: brushed stainless and bright nickel
- Slate tile accents
- Side heat shields: standard black or black with brushed stainless accent
- Log set
- Hopper extension holds additional 60lbs of fuel.
- Biofuel bulk hopper

Optional Slate Tile Accents





P43 PELLET STOVE

The P43 is a convenient option to reduce home heating bills. Intricate styling and uncompromising craftsmanship offer a distinctive design statement in any room—while advanced technology is at work behind the scenes.

PelletPro™ and ESP technology burn any grade of pellet for up to 43,000 BTUs of even heat. Just fill the 50 lb. hopper, set the desired temperature, and relax. The P43 will automatically ignite and maintain consistent room temperatures within one degree.

P43 shown standard.



P61A PELLET STOVE

This efficient pellet stove produces a powerful 61,000 BTUs of even heat. That's enough output to effectively heat your entire home. A solid steel frame and traditional cast iron provide a stoic look in any home.

The P61A uses PelletPro™ and ESP technology to burn any grade of pellet with precision across a broad heat output range. Fill the 72 lb. hopper, set the desired temperature, and enjoy extended performance with minimal maintenance.

P61A shown with brushed stainless leaf trim, brushed stainless air grille, and Deer slate tile accent.



P68 PELLET STOVE

The award-winning P68 is a home heating powerhouse. It produces up to 68,000 BTUs—enough heat to fill the largest of spaces.

Expect uncompromising performance all year round. PelletPro™ and ESP technology deliver high-efficiency heat burning any grade of pellet. A large ash pan and 76 lb. hopper make maintenance easier, and less-frequent.

P68 shown with brushed stainless modern trim, brushed stainless air grille, black side heat shields with brushed stainless accents, and Trail Riders slate tile accent.



P35i PELLET INSERT

The P35i is the cleanest burning pellet insert in the industry, with the lowest emissions of .4 gph. This compact unit is perfect for smaller areas—producing 35,000 BTUs of even heat. This Direct Vent insert can be installed without a chimney, and nearly anywhere in a home.

A unique track-system allows the unit to conveniently slide out for easy access to venting and components. PelletPro™ and ESP technology, and a 62 lb. hopper make the P35i a practical heating option.

P35i shown with brushed stainless leaf trim and standard surround.

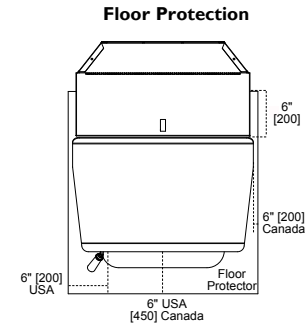
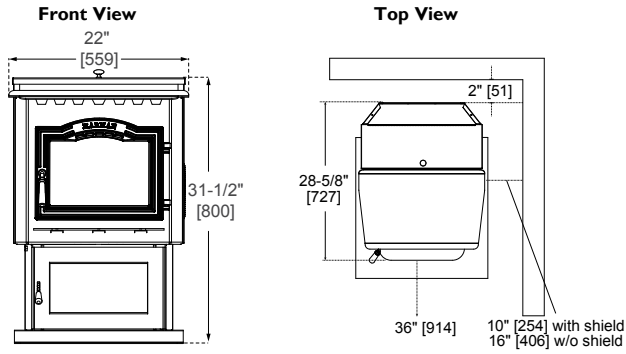


An optional service rail kit makes it easy to install and perform maintenance.

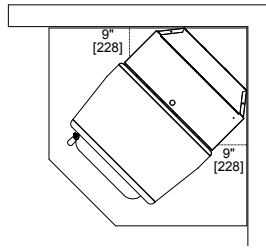
SPECIFICATIONS

P43 PELLET STOVE

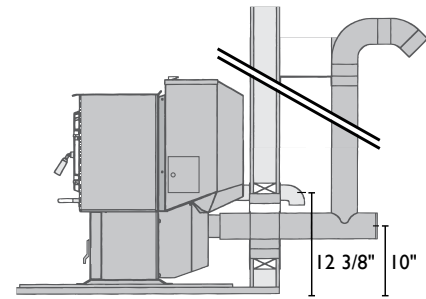
BTU/hr Input	Heating Capacity ¹	Hopper Capacity	Fuel Type	Blower Size	Flue Size	Outside Air Size	Fuse Rating	Weight	Minimum Floor Protection
0 - 43,000	800 - 2,400 sq. ft.	50 lbs.	Wood Pellets ²	134 CFM	3"	3"	6 amp	212 lbs.	32-1/2"w x 33"d [825 x 838]



Corner Installation



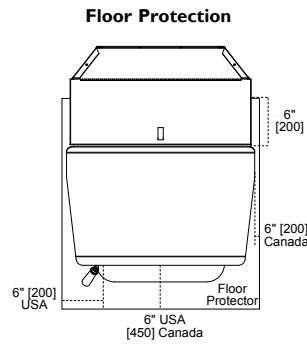
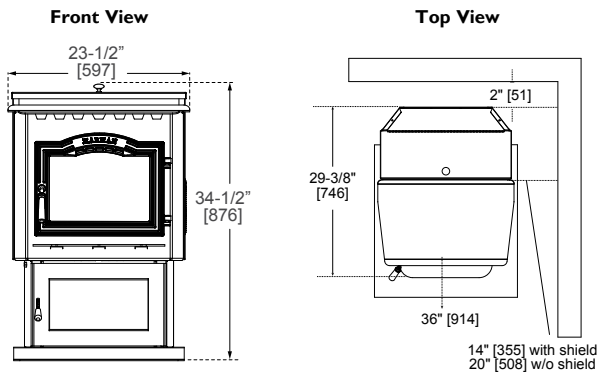
Side View of Typical Installation



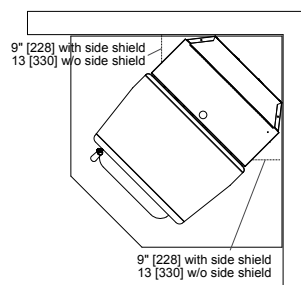
P43: tested by OMNI: ASTM E1509-2004, ULC/ORD-C1482-M1990, (UM) 84-HUD, OAR 814-23-900 through 814-23-909, Mobile Home Approved

P61A PELLET STOVE

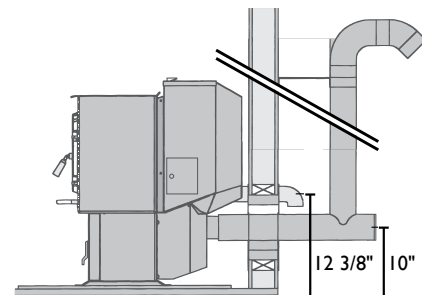
BTU/hr Input	Heating Capacity ¹	Hopper Capacity	Fuel Type	Blower Size	Flue Size	Outside Air Size	Fuse Rating	Weight	Minimum Floor Protection
0 - 61,000	1,300 - 3,500 sq. ft.	72 lbs.	Wood Pellets ²	134 CFM	3"	3"	6 amp	249 lbs.	24-3/4"w x 28-5/16"d [719 x 629]



Corner Installation

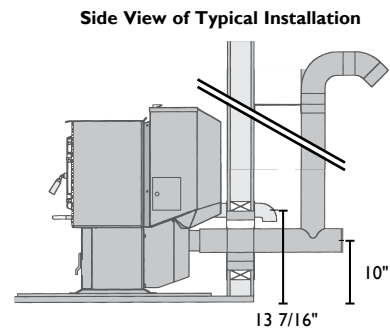
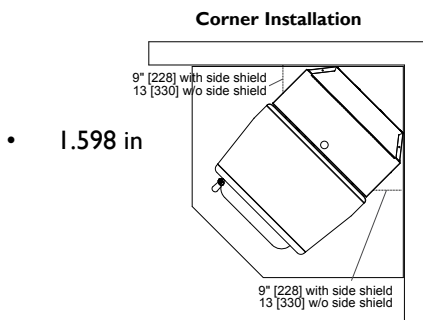
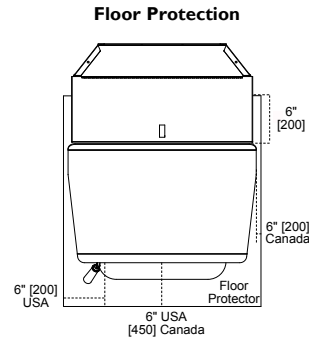
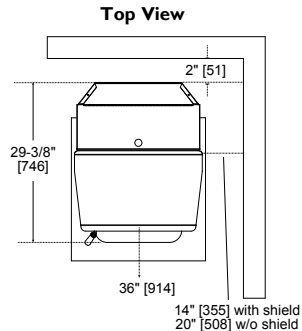
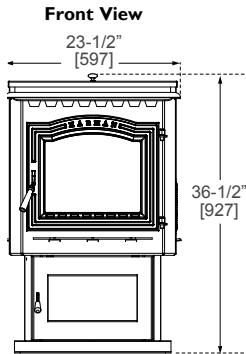


Side View of Typical Installation



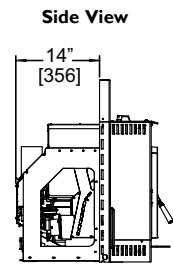
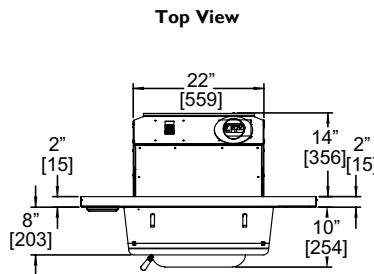
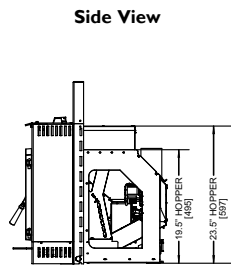
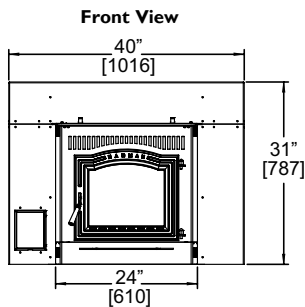
P61A: tested by OMNI: ASTM E1509-04, ULC/ORD C1482-M1990, ULC S627-00, Mobile Home Approved

	BTU/hr Input	Heating Capacity ¹	Hopper Capacity	Fuel Type	Blower Size	Flue Size	Outside Air Size	Fuse Rating	Weight	Minimum Floor Protection
P68 PELLET STOVE	0 - 68,000	1,500 - 3,900 sq. ft.	76 lbs.	Wood Pellets ²	134 CFM	3"	3"	6 amp	290 lbs.	24-3/4" w x 28-5/16" d [719 x 629]



P68: tested by OMNI: ASTM E1509-04, ULC C1482-M1990, ULC S627-00, OAR 814-23-900 through 814-23-909, Mobile Home Approved

	BTU Range	Heating Capacity ¹	Hopper Capacity	Fuel Type	Blower Size	Outside Air Size	Fuse Rating	Feed Rate	Weight	Firebox Opening
P35I PELLET INSERT	0 - 35,000	800 - 2,100 sq. ft.	23-1/2" - 62 lbs. 19-1/2" - 41-1/2 lbs	Wood Pellets ²	160 cfm	3"	6 amp 440 watts/ignition, 180 watts/operation	1.4 - 4.1 lbs/hr	262 lbs.	2 firebox sizes: 24" x 19-1/2" 24" x 23-1/2"



SURROUND SIZES	
Standard Surround	31" x 40" x 1-3/4"
Large Surround	34" x 46" x 1-3/4"

ZERO CLEARANCE HOUSING (OPTIONAL)
24-3/4" h x 16-3/4" d




CLEARANCE TO COMBUSTIBLES	Side wing to trim	Front hearth protection	Top of insert to mantel trim or ledge
	1"	6"	12"

P35i: tested by OMNI: ASTM E1509-04, ULC/ORD-C C1482-M1990, ULC-S628-93, Mobile Home Approved

YOUR HARMAN DEALER IS:

HARMAN[®]
BUILT TO A STANDARD. NOT A PRICE

PHONE: 800-664-3119
WWW.HARMANSTOVES.COM

 [facebook.com/HarmanStoves](https://www.facebook.com/HarmanStoves)
 twitter.com/HarmanStoves
 [youtube.com/HarmanStoves](https://www.youtube.com/HarmanStoves)

LIMITED LIFETIME WARRANTY¹

The strongest in the industry, Harman provides a limited lifetime warranty on the most important aspects: firebox and heat exchanger.

¹See your local authorized Harman dealer for help in determining the product that best suits your heating needs based on climate and home efficiency.

²Also burns 50/50% corn pellet mixture.

³Able to burn grains by simply adjusting the feed rate.

⁴For full warranty details, visit www.harmanstoves.com

Actual product appearance, including flame, may differ from image. Product specifications and pricing subject to change without notice. The images and descriptions in this brochure are provided to assist you in product selection only. Fuel density and pellet shape may affect hopper capacity. Btu's may vary depending on type of fuel used. Refer to installation manual for complete clearance requirements and specifications.

Stove and insert surfaces get extremely HOT and can cause severe burns if touched. Keep a safe distance away. To learn more visit www.harmanstoves.com/fireplacesafety

HAR-1110U-0714