



Powerful, efficient and fully automatic heating combine with customizable style options to create the ideal pellet stove or fireplace insert.

LENNOX

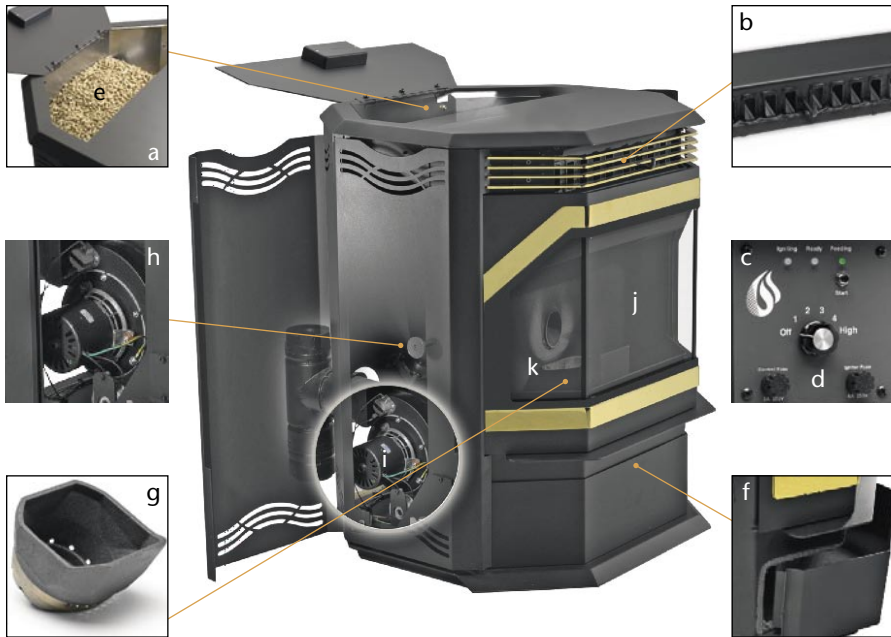
HEARTH PRODUCTS
Innovation never felt so good.™


COUNTRY™
COLLECTION



Winslow™ pellet insert shown with nickel-plated door and grill, nickel-finish surround trim and log set.

■ Available as a stove or insert, the Winslow™ delivers inviting, efficient and reliable heat in an attractive unit that can be customized to complement your home décor. Ease of use and serviceability are designed right into the Winslow with convenient features like easy access to components, a unique air wash system for maintaining amazingly clean glass and a self-cleaning burn pot. And Smart Heat™ technology provides the ultimate in precision heating and comfort control. Plus, with fully automatic operation, the Winslow works like a regular furnace, allowing you to set your desired temperature and walk away. ■



STANDARD FEATURES

a. Large, easy-to-load hopper requires less frequent loading and ensures longer burn times (Stove = 60 lbs.; Insert = 55 lbs. –can be reduced to 40 lbs.)

b. Large, heavy-duty welded steel heat exchanger provides efficient heat transfer and maximum durability

c. Smart Heat™ technology delivers the ultimate in precision heating and temperature control

d. Easy-to-use, concealed controls allow for convenient temperature control

e. Burns a mixture of corn and pellets* (recommended 25/75 corn-to-pellet ratio; maximum 50/50 corn-to-pellet ratio)

f. Extra-large ash drawer removes quickly and easily for simple cleaning (PS40 only)

g. Durable cast-iron burn pot with airburst feature decreases the need for cleaning and provides reliable starts

h. Easy, unobstructed access to internal components makes cleaning and service simple

i. Sealed blower and auger assembly ensure quiet operation and never need to be greased

j. Unique air wash system keeps glass amazingly clean and eliminates the need for frequent cleaning

k. Innovative self-ignition system delivers hassle-free automatic starts and works with a thermostat for automatic heat control (Smart Heat)

Limited Lifetime Warranty

OPTIONAL ACCESSORIES

Zero-clearance kit (insert only)

– Allows the insert to be framed into a wall during construction or a remodel

Front support kit (insert only)

– Extends the surrounds and supports the insert for a finished appearance in elevated installations

Remote thermostat

Log set

Brick panel

**Performance may be affected depending on fuel used and mixture.*

CUSTOMIZE TO YOUR TASTE

The Winslow™ offers a variety of design and convenience features to complement your home and lifestyle. Choose from the following options to customize your Winslow free-standing stove or insert:

STEP 1: FREE-STANDING STOVE OR FIREPLACE INSERT

Choose the body that matches your preference and needs.



Free-Standing Pellet Stove



Fireplace Insert

STEP 2: DOOR AND GRILL FINISH

Choose the finish that best complements your room décor and/or color scheme.



Black

Gold

Nickel



Brushed nickel

Black nickel

NOTE: Mix and match door and grill finishes to create a unique look.

STEP 3: SURROUND SIZE AND TRIM FINISH (insert only)

Choose the surround size based on your existing fireplace opening—29"W x 41"H, 29"W x 48"H, 33"W x 41"H or 33"W x 48"H. Then choose the trim finish.



Black (standard)

Gold (option)

Nickel (option)

STEP 4: LOG SET (optional)

For a realistic fire, add an optional log set.



STEP 5: BRICK PANEL (optional)

Add a stylish brick panel.





Winslow Stove

Winslow Insert

SPECIFICATIONS

	WINSLOW™ STOVE	WINSLOW INSERT
PELLETS	Standard	Standard
HEAT CAPACITY*	900-2,000 sq. ft.	900-2,000 sq. ft.
MAXIMUM BTU OUTPUT	39,500 BTUs (4.7 lbs/hr)	37,800 BTUs (4.5 lbs/hr)
MINIMUM BTU OUTPUT	15,120 BTUs (1.8 lbs/hr)	15,120 BTUs (1.8 lbs/hr)
BLOWER	150-CFM	150-CFM
HOPPER CAPACITY	60 lbs.	55 lbs.**
FLUE SIZE	3"	3"

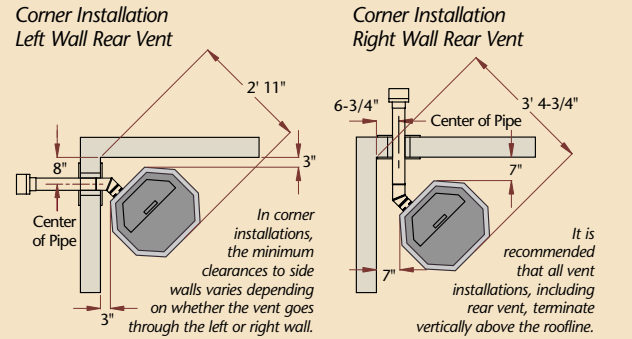
*Square-foot heating capacities are approximations only. Actual performance may vary depending upon home design and insulation, ceiling heights, climate, condition and type of fuel used, appliance location, burn rate, accessories chosen, chimney installation and how the appliance is operated.

**Can be reduced to 40-lb. capacity to fit small fireplace openings.

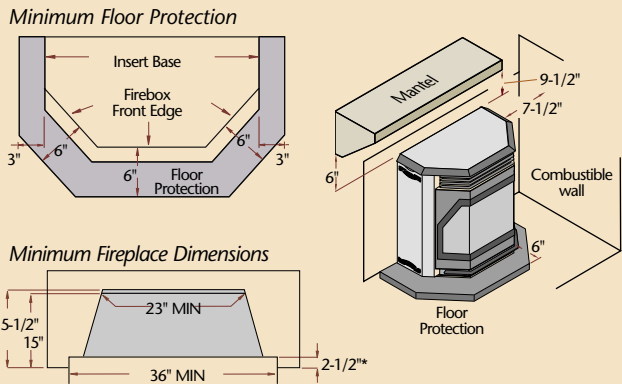
DIMENSIONS

	WINSLOW STOVE	WINSLOW INSERT
WIDTH	26-1/4"	26-1/4"
HEIGHT	31"	—
DEPTH	23-1/4"	—
FRONT HEIGHT	—	23-3/8"
REAR HEIGHT	—	19"
DEPTH INTO FIREPLACE	—	15-1/4"
DEPTH ONTO HEARTH	—	14-3/8"
APPROXIMATE WEIGHT	305 lbs.	265 lbs.

WINSLOW STOVE MINIMUM CLEARANCE TO COMBUSTIBLES



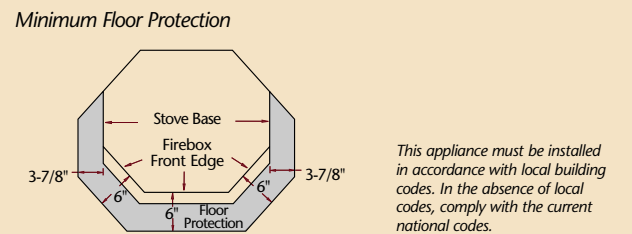
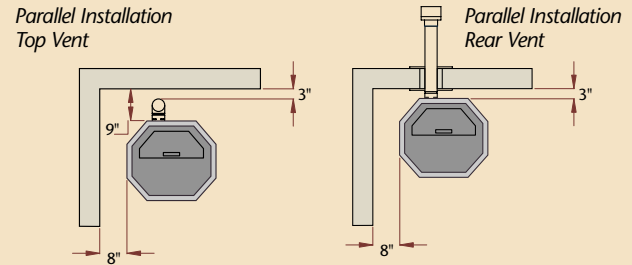
WINSLOW INSERT MINIMUM CLEARANCE TO COMBUSTIBLES



Allowing larger clearances will increase accessibility for ease of maintenance and cleaning.

FRAMING DIMENSIONS FOR OPTIONAL ZERO-CLEARANCE KIT:
 See manual for installation details and framing dimensions.

*2-1/2" minimum screen pocket is needed for the control board.



PRODUCTS YOU CAN COUNT ON

Lennox is committed to providing you with high-quality products. A qualified dealer can help you find the right product to give you years of comfort and enjoyment.



HEARTH PRODUCTS
Innovation never felt so good.™

© Lennox Industries Inc. 2008

Visit us at www.lennox.com, or contact us at 1-800-9-LENNOX.

IMPORTANT NOTES:

As with any heating appliance, fireplace or stove, this appliance is extremely hot during operation. Read and understand all operating instructions before using this appliance. For further information, consult your dealer.

Diagrams, illustrations and photographs are not to scale – consult installation instructions. Product designs, materials, dimensions, specifications, colors and prices are subject to change or discontinuance without notice.

Approved to U.S. and Canadian safety and performance standards – ASTM E1509 & ULCC C1482.

